

SPECIFICATIONS

OPTICAL PERFORMANCE** (MIXED RGB)

COLOR	CCT(K)	FLUX(lm)	λ_p (nm)
White	6500±500	700	
Red		240	625±5
Green		480	525±10
Blue		100	470±5

OPTICAL PERFORMANCE** (R, G, or B)

COLOR	CCT (K)	FLUX(lm)	λ_p (nm)
Red		735	625±5
Green		1260	525±10
Blue		357	470±5

OPTICAL PERFORMANCE** (WHITE)

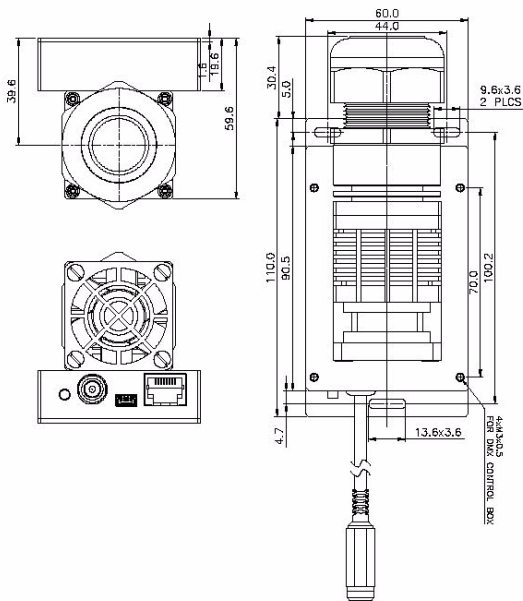
WHITE	CCT (K)	FLUX(lm)	CRI*
Cool	6500±500	1100	75
Neutral	4000±500	900	85
Warm	2900±400	900	85

* Minimum value

** Typical values at $T_a=25^\circ\text{C}$

MECHANICAL DIMENSIONS (NOMINAL)

PARAMETER	DIMENSION
Base size	110mm x 60mm
Height	59.6mm



ABSOLUTE MAXIMUM RATING

PARAMETER	MAX RATING
DC Forward Voltage	12V ($\pm 5\%$)
DC Forward Current	3.3A
Operating Temp	-10°C / 45°C
Storage Temp	-40°C / 75°C
Weight	265g
Acoustic Noise	32.0dBa

CONNECTORS

- Mini USB for programming and DMX addressing
- Built-in RJ45 for DMX control
- Optional XLR adapter

